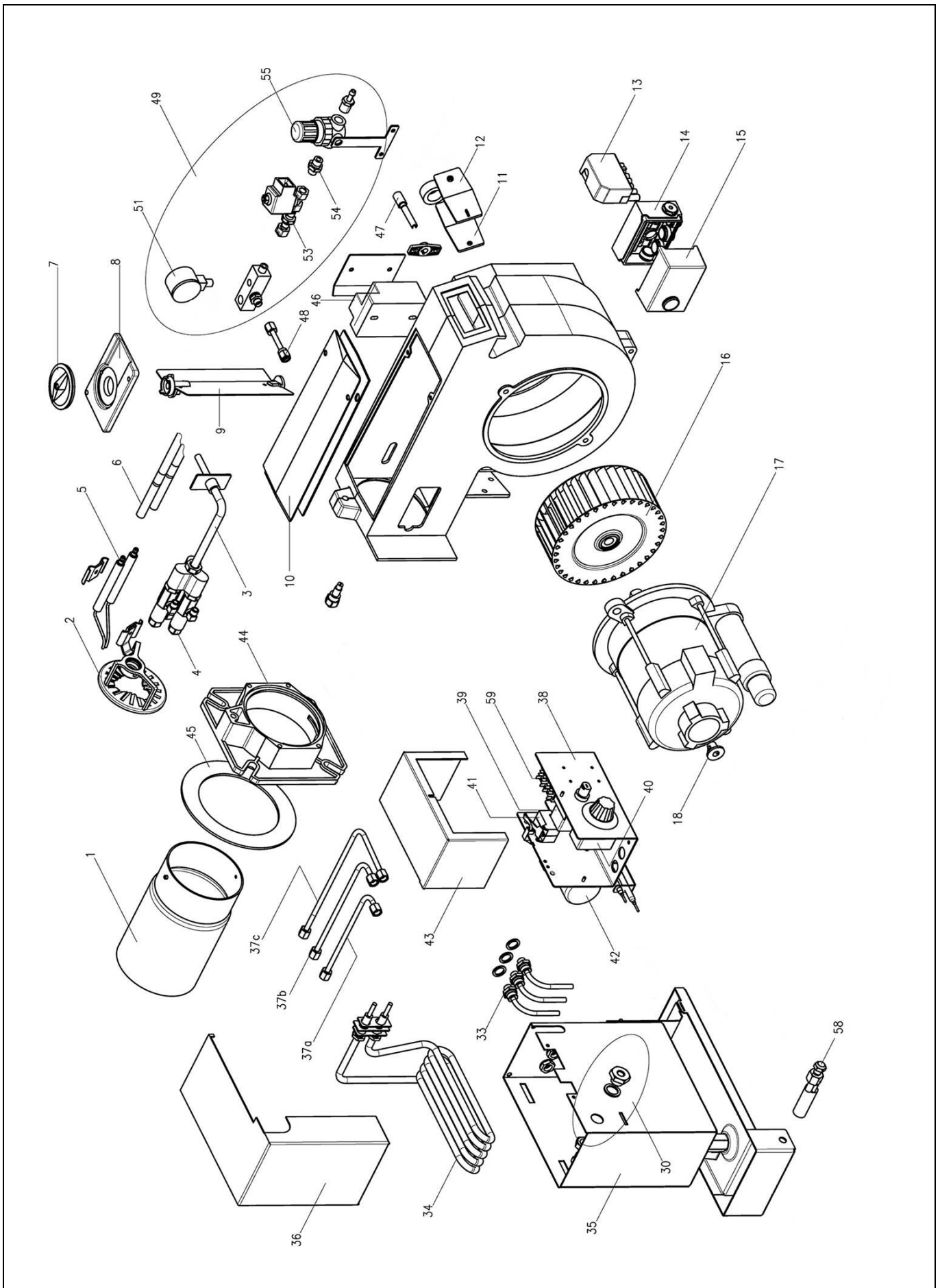


## 22. Vista esplosa / elenco parti di ricambio



## Exploded view drawing / spare parts list

Position	Designation	Pack qty.	Art. No.
1	Burner pipe, 177 mm long	1	47-90-27625
1	Burner pipe, 277 mm long (100 mm extension)	1	47-90-29229
1	Burner pipe, 377 mm long (200 mm extension)	1	47-90-29232
2	Diaphragm plate compl. with holder	1	41-90-20850
3	Nozzle assembly compl.	1	37-90-12156
3	Nozzle assembly compl. 100 mm extension	1	47-90-29228
3	Nozzle assembly compl. 200 mm extension	1	47-90-29231
4	Delavan HV 1,5 nozzle (EMB 150)	1	59-10-50448
4	Delavan HV 2 nozzle (EMB 200)	1	59-20-50449
5	Ignition electrodes (left + right)	1	47-90-27486
6	Ignition cable 440 mm long	2	47-50-26739
6	Ignition cable 540 mm long	2	47-50-26740
6	Ignition cable 640 mm long	2	47-50-26741
7	Air control handwheel	1	47-90-12100
8	Air damper flange	1	47-90-12099
9	Air flap, compl. preassembled	1	47-90-10646
10	Seal for housing cover	5	47-50-10668
11	Sight glass	5	47-50-12105
12	Sight glass cover	5	47-50-12106
13	7-pin socket with cable	1	47-90-11839
14	Control unit bottom part S98, 9-pin, compl.	1	31-90-22664
15	Satronic TF 834.3 control unit	1	37-90-11285
16	Fan wheel 160 x 62	1	47-90-10665
17	Motor 250 W with cable	1	47-90-28895
18	Coupling set	1	47-90-28958
30	Oil tank - solenoid valve connection compl.	1	on demand
33	Intake tube compl.	1	47-90-24514
34	Heating coil 1100 W	1	47-90-24505
35	Oil tank EMB 200 compl.	1	47-90-29965
36	Oil tank cover	1	47-90-29926
37a	Oil tank - nozzle assembly connecting tube part 1	1	47-90-26186
37a	Oil tank - nozzle assembly connecting tube part 1, 100 mm extension	1	47-90-29234
37a	Oil tank - nozzle assembly connecting tube part 1, 200 mm extension	1	47-90-29237
37b	Oil tank - nozzle assembly connecting tube part 2	1	47-90-26187
37b	Oil tank - nozzle assembly connecting tube part 2, 100 mm extension	1	47-90-29235
37b	Oil tank - nozzle assembly connecting tube part 2, 200 mm extension	1	47-90-29238
37c	Oil tank - nozzle assembly connecting tube part 3	1	47-90-26188
37c	Oil tank - nozzle assembly connecting tube part 3 100 mm extension	1	47-90-29236
37c	Oil tank - nozzle assembly connecting tube part 3, 200 mm extension	1	47-90-29239
38	Pre-assembled electrical box	1	47-90-29953
39	Safety thermostat	1	47-90-29935
40	Flush-type thermostat	1	47-90-29933
41	Twin microswitch	1	47-90-10601
42	Float	1	47-90-22420
43	Control housing cover	1	47-90-29928
44	Swivel flange compl.	1	47-90-12093
45	Mounting flange seal	5	47-50-24429
46	Electronic ignition unit Mod. 26/48	1	47-90-26930
47	Flame detector MZ770 compl. with cable	1	47-90-22816
48	Air distributor connecting tube	1	47-90-27628
49	Air distributor, compl.	1	47-90-29962
51	Pressure gauge 0-2.5 bar	1	47-90-12121
53	Double nipple NR 280 R1/8"	1	44-90-23087
54	Double reduction nipple 1/4" - R1/8"	1	44-90-23075
55	Replacement pressure regulator	1	47-90-24594
58	Float switch HM1015	1	47-90-29932
59	Relays 56.328	1	47-90-27681
-	Motor cable	1	37-90-11812